

# Peel-and-Stick 4G Dipole Antenna

## FEATURES



- Adhesive Mount
- Ground Plane Independent
- Full 4GLTE backward compatibility
- 5.8 dBi Peak Gain
- Low Profile
- Customizable Cable and Connector



With overall dimensions of only 116.68\*21.81\*5.0mm, high-quality adhesive tape and PC/ABS UV stable housing, the M02-0500310R0A can be installed on any glass or ABS surfaces found in the most extreme outdoor environments without any risk of failure.

The M02-0500310R0A features a standard SMA-Male connector and a 500mm long LL100 cable. MyAntenna also offers a wide range of alternative connectors and cables to meet our customers' most unique design requirements. As an added measure, this antenna was designed with ground plane independence in order to eliminate any grounding restrictions during the installation process.

## PRODUCTS

Part No.	Weight	Dimensions (L x W x H)/Line length	Connector	Color
M02-0500310R0A	30g	116.68*21.81*5.0mm/1500mm	SMA-Male	Black
M02-0500180R0A	15g	116.68*21.81*5.0mm/500mm	Welding	Black

## SPECIFICATIONS

PARAMETER	SPECIFICATION	
Frequency Bands, MHz	698-960	1710-2690
VSWR (Max)	3.0:1	3.0:1
Peak Gain, dBi (Typ)	Up to 5.8	
Nominal Impedance	50 Ω	
Max Power (ambient temp of 25°C)	10 Watts	
Azimuth Beam Width (deg)	Omnidirectional	
Polarization	Linear, Omnidirectional	
Radome	ABS, Black	
Storage Temperature Range (°C)	-40° C to +85° C	
Operational Temperature Range (°C)	-30° C to +80° C	
Material Substance Compliance	REACH/RoHS Compliant	
HSCODE	8517707090	
USHSCODE	8517620010	
UPC		

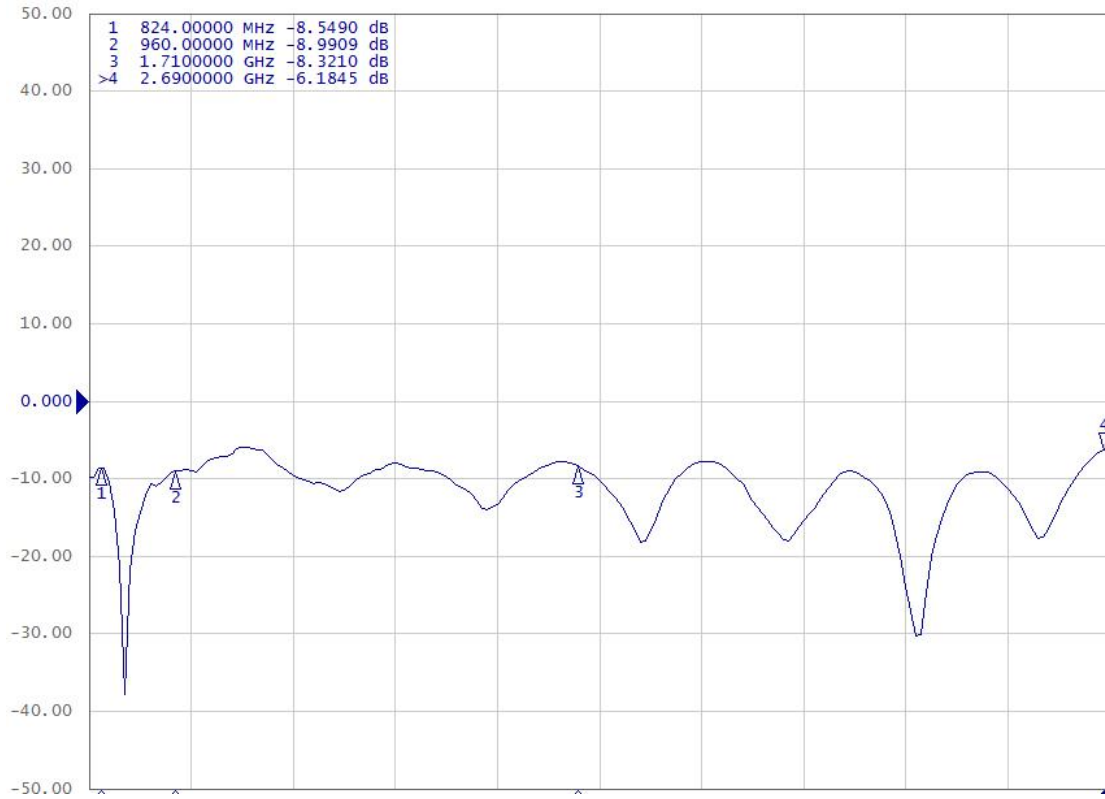
MyAntenna RF Technology Co., Ltd

ADD: No.RM 405, R3-A Building, Shenzhen High-Tech Park, Nanshan, Shenzhen, P.R. China.

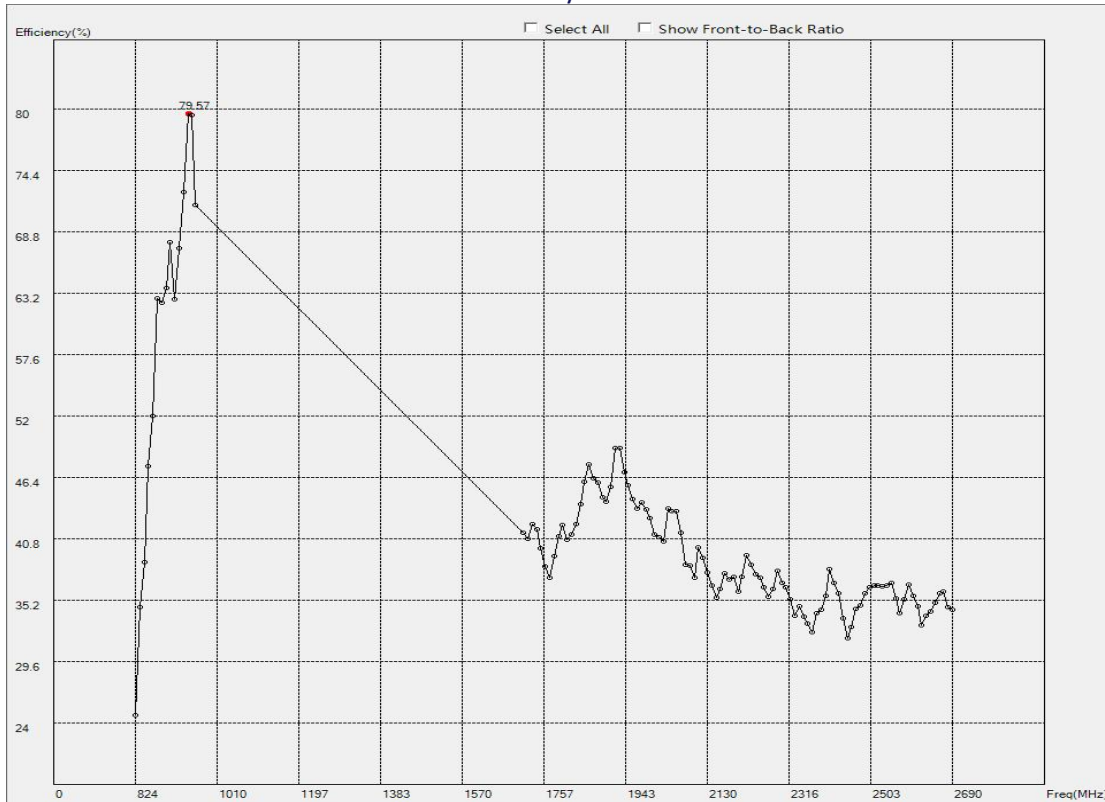
TEL: +86-0755-86503881 FAX: +86-0755-27801677 E-mail: [nfc@myantenna.com](mailto:nfc@myantenna.com)

**ELECTRICAL DATA**

Return Loss



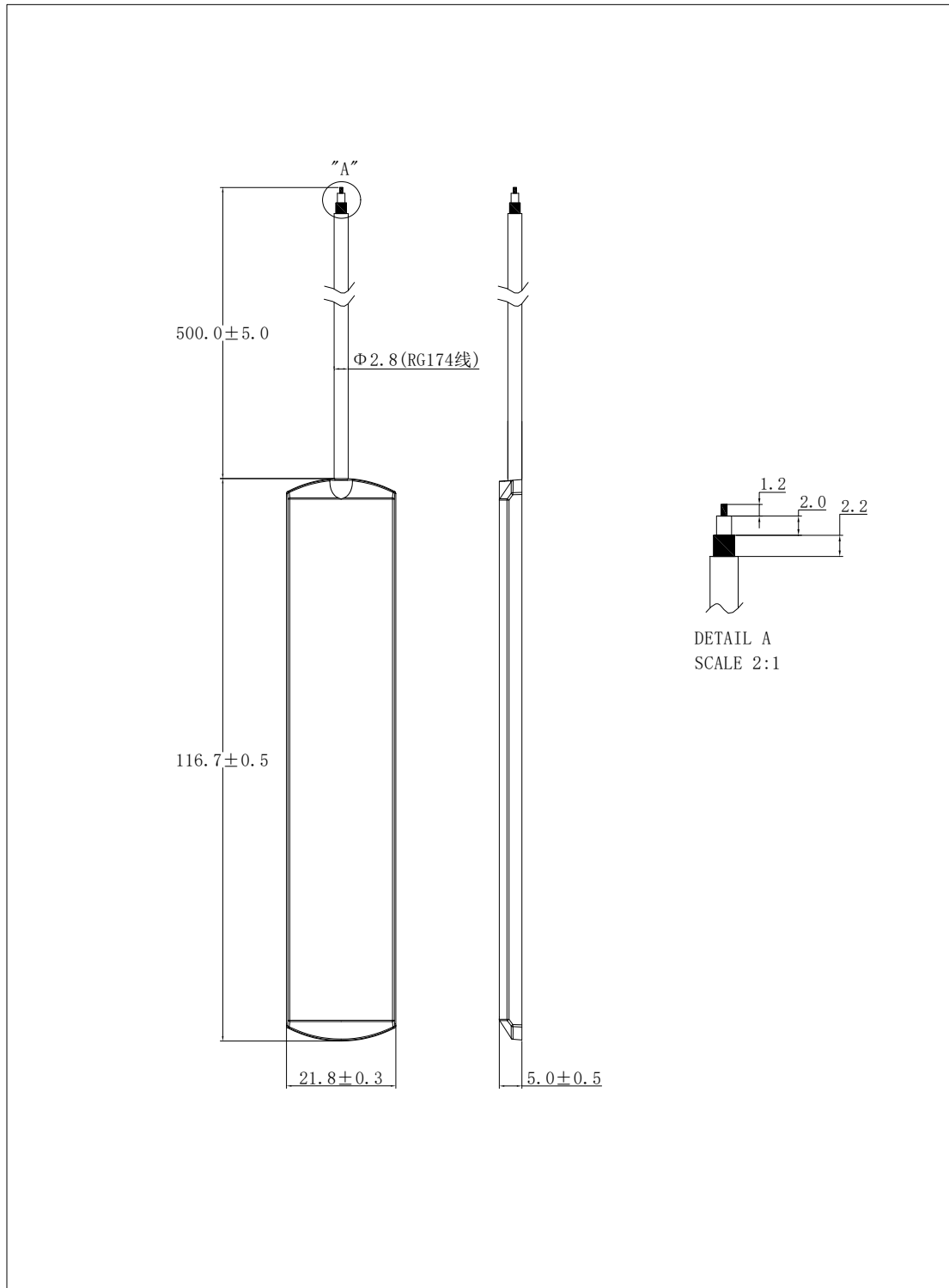
Efficiency (%)





HOUSING CONFIGURATIONS

M02-0500180R0A



M02-0500310R0A

