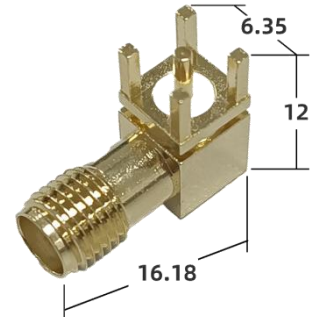


90° SMA-K 16.18mm RF Connector

FEATURES



- Board Mount
- 0-6GHz Operating Frequency
- Competitive price and fast delivery



MyAntenna,s RF coax cable connectors are engineered and are available in small sizes, with tight tolerance electrical characteristics, and in materials that are rugged but not heavy and manufactured to withstand high use in harsh environments. These connectors are manufactured with crimp, solder, and clamp terminations to enable easy installation.

PRODUCTS

Part No.	Weight	Size	Color
M04-0100780R0A	3g	16.18*6.5*12.0mm	Gold

SPECIFICATIONS

PARAMETER	SPECIFICATION
Frequency Bands	0-6GHz
Impedance	50 Ω
S.W.R.	≤ 1.5
Working Voltage	335V Max
Insulation Resistance	1000 Mohm
Contact Resistance:Center Contact	5 mohm
Contact Resistance:Outer Contact	≤ 2.5 mohm
Conductor Material	Copper
Connector & Contact Terminates To	Printed Circuit Board
PCB Mount Orientation	Vertical
Storage Temperature Range (°C)	-40° C to +85° C
Operational Temperature Range (°C)	-40° C to +85° C
Material Substance Compliance	REACH/RoHS Compliant
HSCODE	?
USHSCODE	?
UPC	

MyAntenna RF Technology Co., Ltd

ADD: No.RM 405, R3-A Building, Shenzhen High-Tech Park, Nanshan, Shenzhen, P.R. China.

TEL: +86-0755-86503881 FAX: +86-0755-27801677 E-mail: nfc@myantenna.com

PRODUCT DRAWINGS

