

15x15x4mm passive ceramic antenna



The antenna is a GPS+BD ceramic antenna, receiving GPS+BD band signals, using the right hand spiral circular polarization design, flat small structure, with low reflection loss, small axis ratio and high gain characteristics.

Product Description

Part No.	Weight	Dimensions (L x W x H)	Cable	Color
M04-0102860R0A	5.5g	15*15*4mm	Φ1.13*170mm	Brown+Grey

Electrical Characteristics

Antenna (天线)		
1	Antenna model(天线规格)	1540A (15mm×15mm×4mm)
2	Frequency Range(频率范围)	1568-1575.42MHz±3MHz
3	V.S.W.R (驻波比)	2.0 MAX
4	Band With@10dB(10dB 带宽)	5 MHz MIN
5	Gain(增益)	-1dB typ @15mm*15mm groundplane
6	Impedence (阻抗)	50Ω
7	Polarization (极化方式)	RHCP

Material

No	Part Name	SPEC
1	Antenna	Dielectric Ceramics
2	PCB	FR4
3	Shielding Case (屏蔽罩)	Tin
		8.1mm×7.4mm×1.55mm
4	RF Cable (线材)	1.13
		L= 170mm (grey)
5	RF Connector (接头)	IPEX-1

MyAntenna RF Technology Co., Ltd

ADD: No.RM 405, R3-A Building, Shenzhen High-Tech Park, Nanshan, Shenzhen, P.R. China.

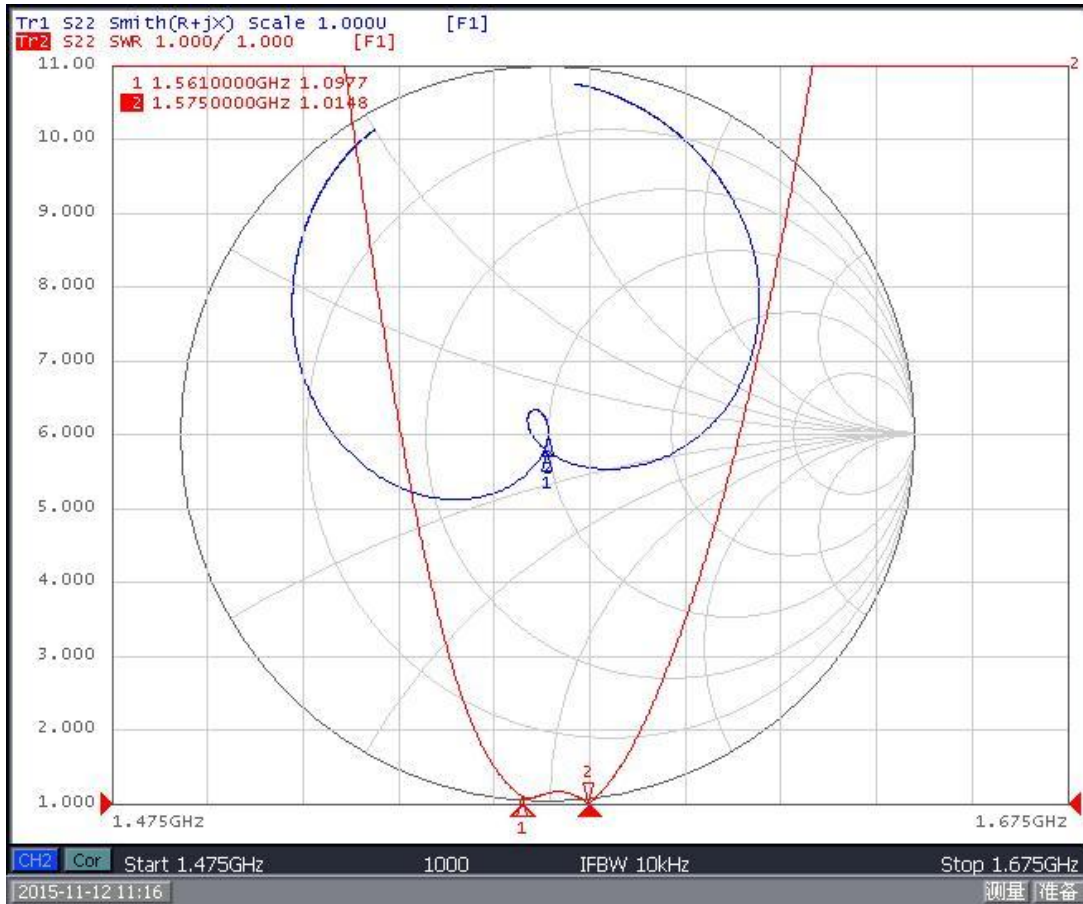
TEL: +86-0755-86503881 FAX: +86-0755-27801677 E-mail: nfc@myantenna.com

Environment Condition

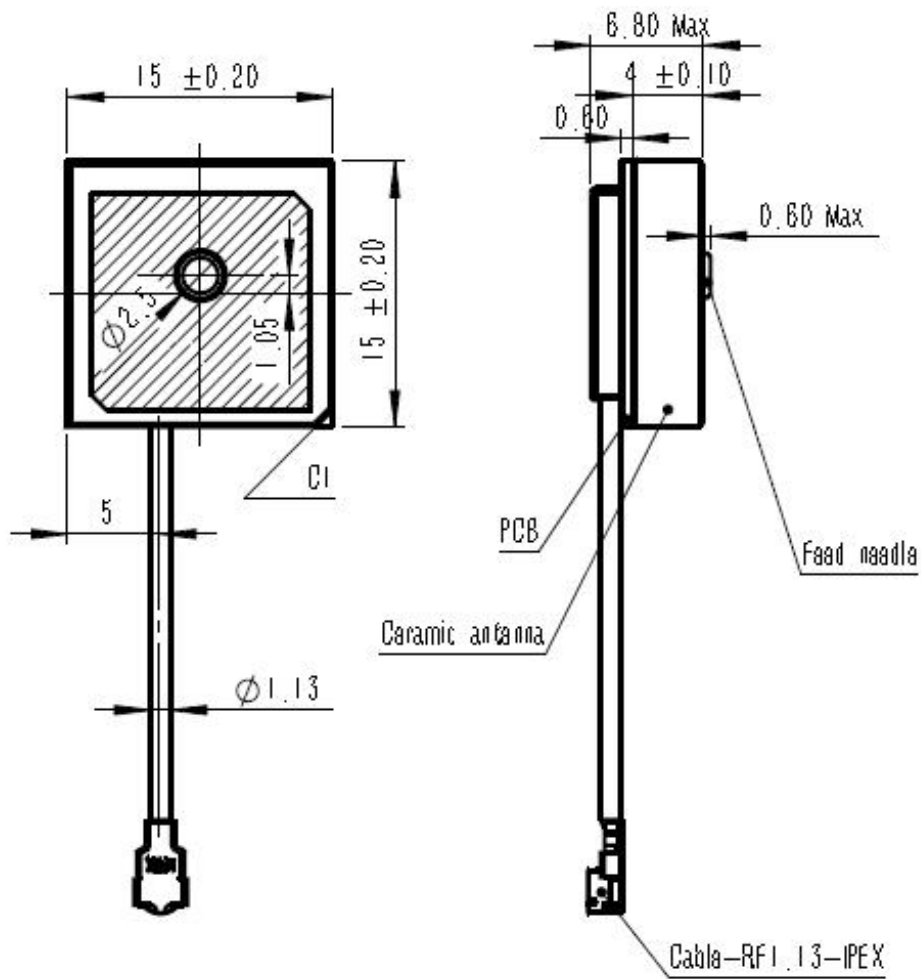
1	Working Temp (工作温度)	-40°C ~ +85°C, 10% ~ 95% RH
2	Storage Temp (贮存温度)	-55°C ~ +100°C, 10% ~ 95% RH
3	Vibration (震动)	Sine sweep @1.5mmAM 10~55Hz each Axis

Testing Curve (测试图表)

Patch Simth& VSWR



HOUSING CONFIGURATIONS



Note

- 1、 This product specification guarantees the quality of our product as a single unit. Please make sure that your product is evaluated and confirmed against your specifications when our product is mounted to your product.
- 2、 The product will get free warranty for three months since the date of purchase users operate in the correct way; users will have to pay cost of the materials and maintaining fee out of the condition.
- 3、 Electrostatic sensitive device.Observe precautions for handling.