

470-510MHz Rod Antenna

FEATURES



- Enhanced hinge structure for vibration environs
- Designed for both Indoor & Outdoor applications
- PCB Antenna



The MyAntenna M01-0600740R0A range of antennas are designed to decrease the lifetime cost of M2M and mobile device installations by offering a robust, effective antenna that is easy to install and lasts the lifetime of the installation without the need for maintenance.

PRODUCTS

Part No.	Weight	Dimensions (L x W x H)	Connector	Color
M01-0600740R0A	22g	Φ13*198mm	SMA-Female	Black

SPECIFICATIONS

PARAMETER	SPECIFICATION
Frequency Bands, MHz	470-510
VSWR (Max)	3.0:1
Peak Gain, dBi (Typ)	Up to 2.0
Nominal Impedance	50 Ω
Max Power (ambient temp of 25°C)	10 Watts
Azimuth Beam Width (deg)	Omnidirectional
Polarization	Linear, Omnidirectional
Radome	PC, Black
Storage Temperature Range (°C)	-40° C to +85° C
Operational Temperature Range (°C)	-30° C to +80° C
Material Substance Compliance	REACH/RoHS Compliant
HSCODE	8517707090
USHSCODE	8517620010
UPC	

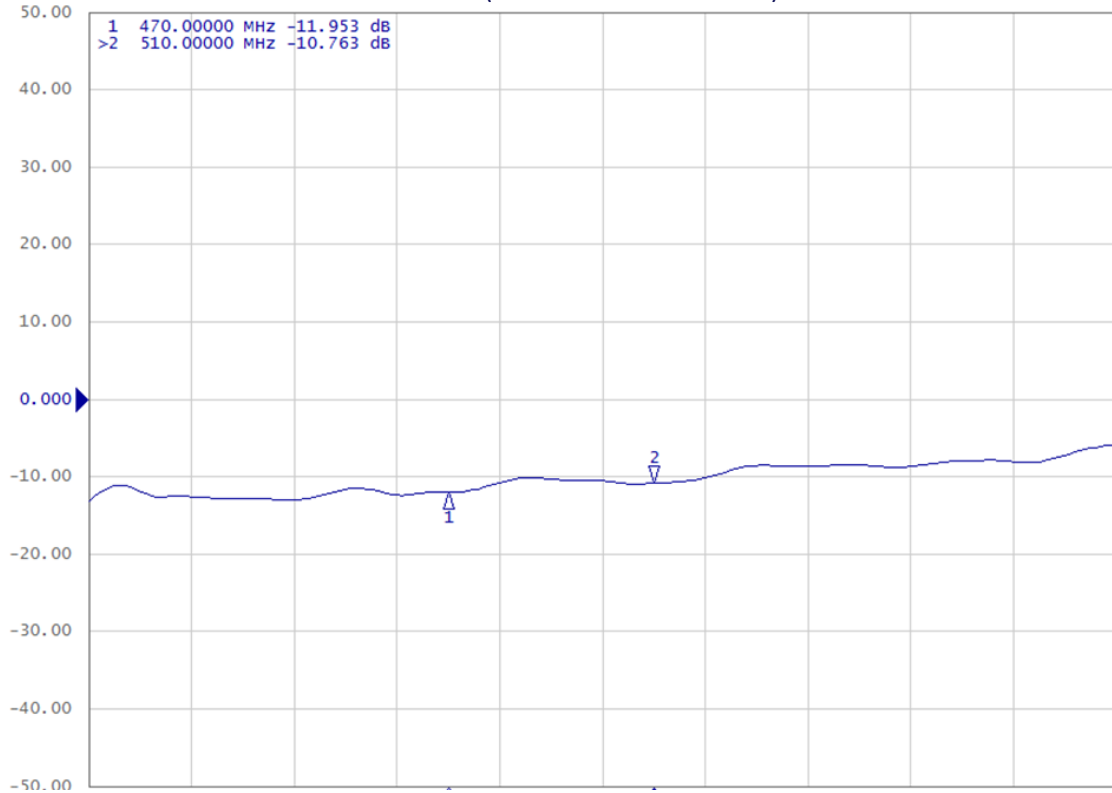
ELECTRICAL DATA

MyAntenna RF Technology Co., Ltd

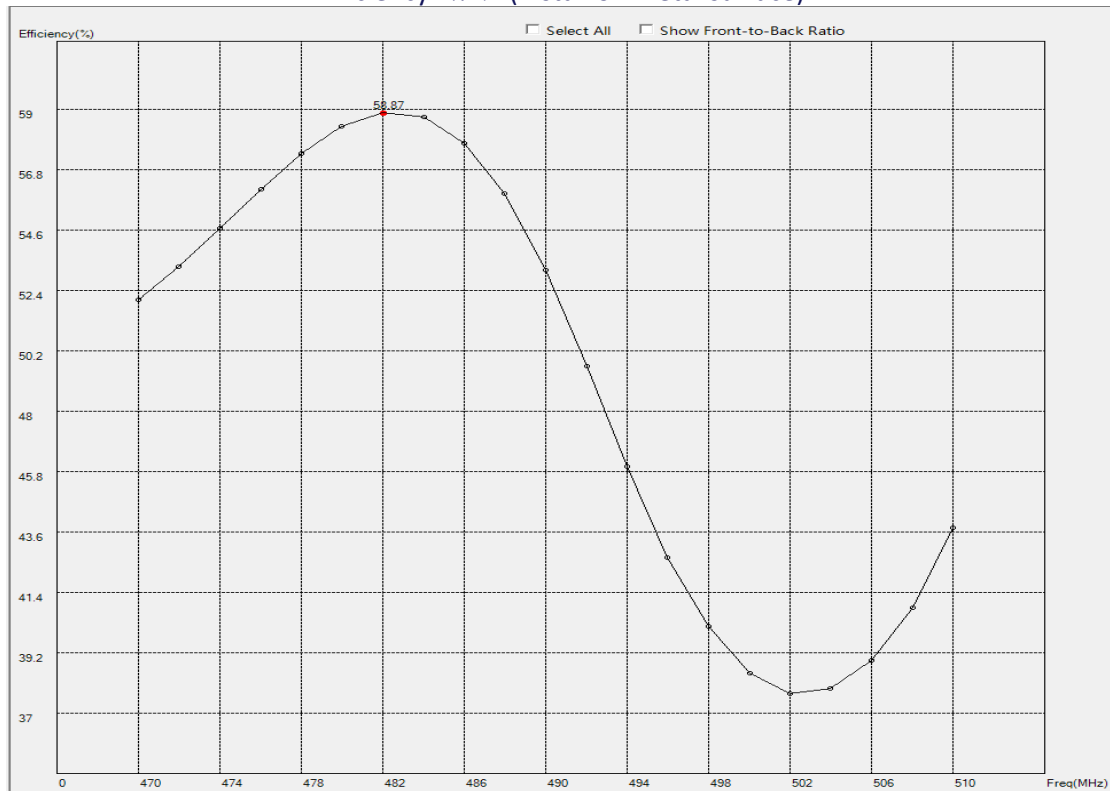
ADD: No.RM 405, R3-A Building, Shenzhen High-Tech Park, Nanshan, Shenzhen, P.R. China.

TEL: +86-0755-86503881 FAX: +86-0755-27801677 E-mail: nfc@myantenna.com

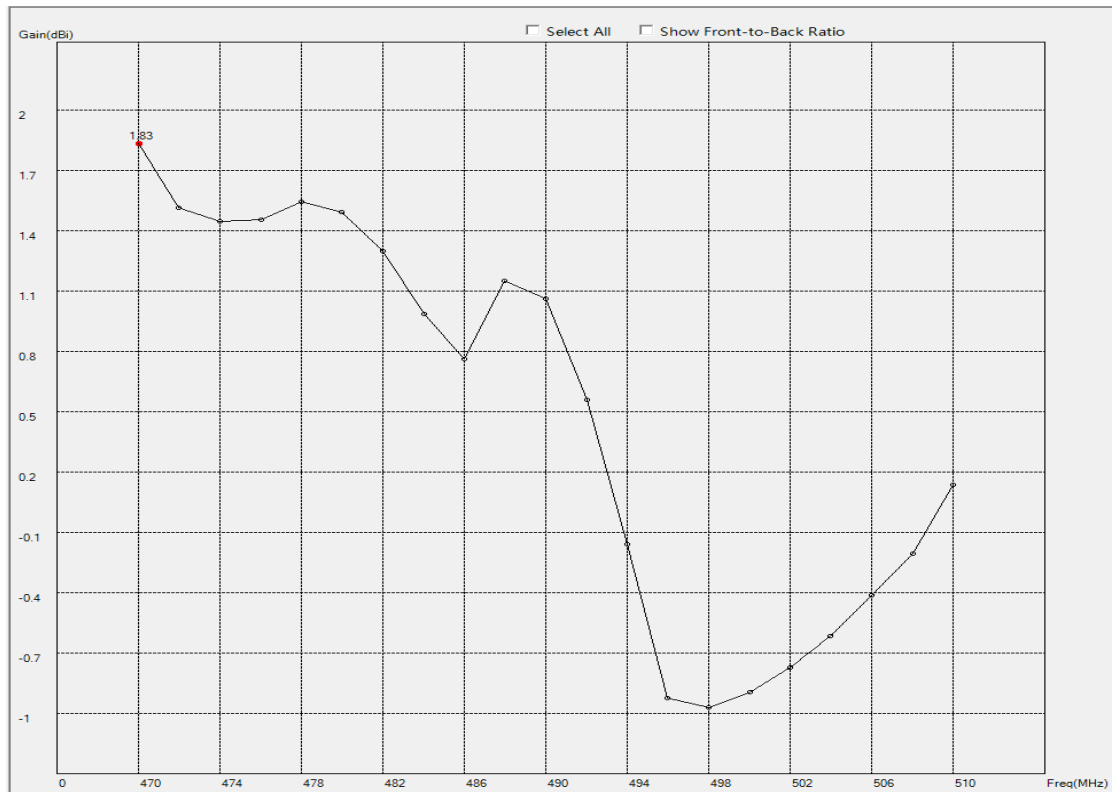
Return Loss(Install on metal surface)



Efficiency (%) (Install on metal surface)

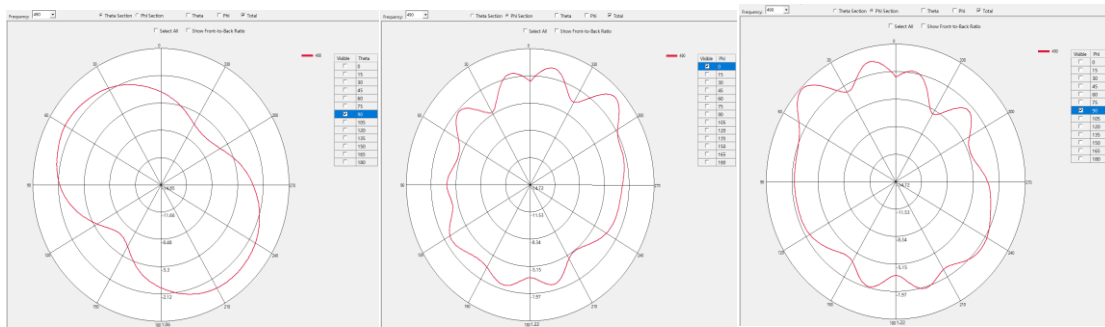


Peak Gain (dBi) (Install on metal surface)

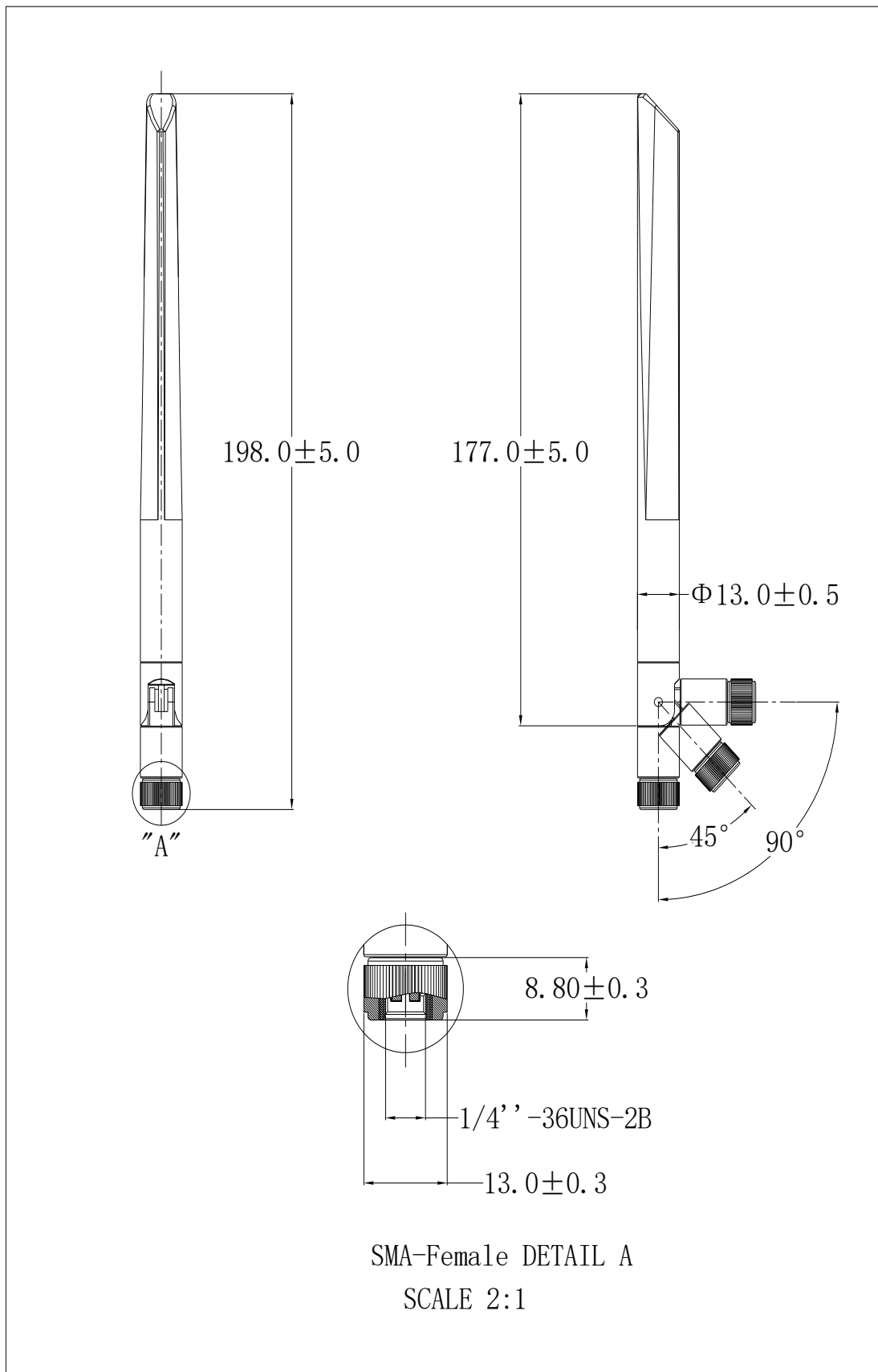


RADIATION PATTERNS

2D Radiation Pattern at 490MHz(Install on metal surface)



HOUSING CONFIGURATIONS



SMA-Female DETAIL A
SCALE 2:1