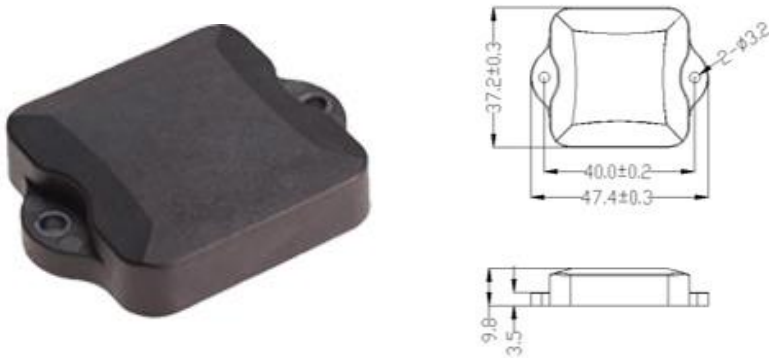


BRT-HT-34

FEATURES

1. BRT-HT-34 high temperature label is specially designed for complex environments such as metal and high temperature.
2. It has the characteristics of long reading distance, high sensitivity and convenient installation.
- 3, suitable for a variety of metal environments, especially high temperature environments
- 4, optional Alien H3, Monza R6-P two chips
- 5, the tags/label use ambient temperature up to 200°C

HOUSING CONFIGURATION



PRODUCTS

Part No.	Weight	Dimensions (LxWx H)	Chip	Installation	Color
BRT-HT-34	10g	48 x 38 x 10mm	MONZA-R6-P	3M Glue/Screw	Black

SPECIFICATIONS

PARAMETER	SPECIFICATION
Frequency bands, MHz	920-925
Sensitivity	-17dB(reference distance 3M)
Chip	MONZA-R6-P
Protocol supported	ISO 18000-6C, EPC global C1Gen2
Function	Read/Write
EPC	128-EPC
Chip memory	32 Bits
TID	48 bits
Access password	32bits
Kill password	32bits
Data retention	10 years
Write endurance	100,000 cycles
Installation method	3M Glue/Screw
Protection class	IP68
Operating Temperature	-40° C to +200° C
Material of shell	High temperature resistant material

MyAntenna RF Technology Co., Ltd

ADD: No.RM 405, R3-A Building, Shenzhen High-Tech Park, Nanshan, Shenzhen, P.R. China.

TEL: +86-0755-86503881 FAX: +86-0755-27801677 E-mail: nfc@myantenna.com