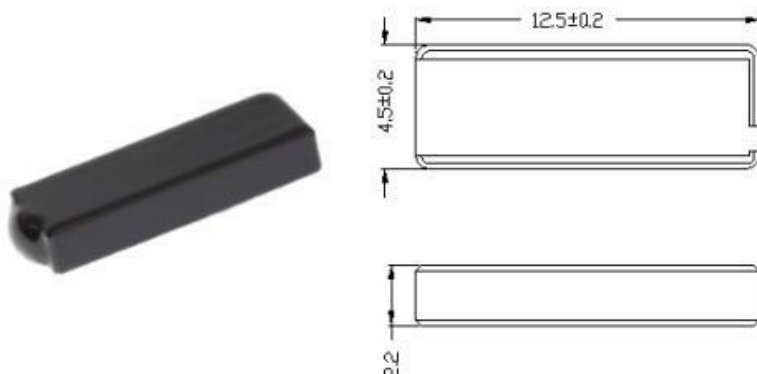


BRT-AM-06

FEATURES

BRT-AM-06 ceramic anti-metal tag is dedicatedly designed to complex metal environments. The super small-size tag provides special choice for the applications of high requirements on tag size and performance. It is recommended to be used on metal tools, small devices and other item managements.

HOUSING CONFIGURATION



PRODUCTS

Part No.	Weig ht	Dimensions (LxWx H)	Chip	Installation	Color
BRT-AM-06	1.5g	13 x 4.5 x 2mm	Impinj Monza R6-p	3M Glue	Black

SPECIFICATIONS

PARAMETER	SPECIFICATION
Frequency bands, MHz	920-925
Sensitivity	-6dBm (reference range 2m)
Chip	Impinj Monza R6-p
Protocol supported	ISO 18000-6C, EPC global C1Gen2
Function	Read/Write
EPC	128-bits
Chip memory	32User Bits
TID	48bits
Access password	32bits
Kill password	32bits
Data retention	10 years
Write endurance	10,000 cycles
Installation method	3M Glue
Protection class	IP65
Operating Temperature	-20° C to +85° C
Material of shell	Ceramic,Silver,3M Glue

MyAntenna RF Technology Co., Ltd

ADD: No.RM 405, R3-A Building, Shenzhen High-Tech Park, Nanshan, Shenzhen, P.R. China.

TEL: +86-0755-86503881 FAX: +86-0755-27801677 E-mail: nfc@myantenna.com